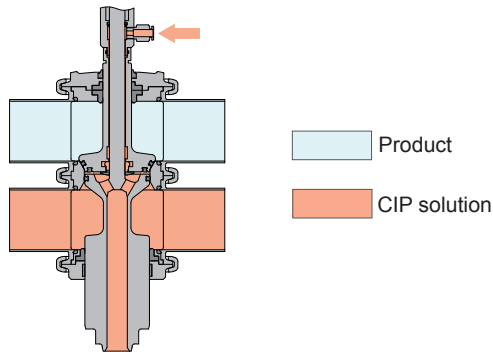




**I Applications**

The INNOVA S-type valve is a pneumatic shut-off double seat valve for hygienic applications. The leakage chamber, under atmospheric pressure, situated between the two seats ensures a safe interface between the two liquids, one of which is usually a CIP solution (cleaning agent).

The leakage chamber is cleaned via the CIP nozzle situated in the lantern.



**I Design and features**

- Hygienic design according to EHEDG.
- No leakage during the opening/closing of the valve.
- Balanced lower seat.
- Single-acting pneumatic actuator.
- Easy assembly/disassembly of internal parts by loosening a clamp fastener.
- Open lantern allows visual inspection of shaft sealing.
- 360° adjustable body.

**I Technical specifications**

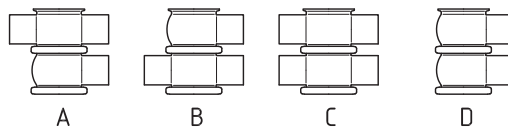
<b>Materials:</b>	
Parts in contact with the product	Stainless steel AISI 316L (1.4404)
Other stainless steel parts	Stainless steel AISI 304 (1.4301)
Gasket	EPDM (according to FDA and EC 1935/2004)
<b>Surface finish:</b>	
Internal	Bright polish Ra ≤ 0,8 μm
External	Matt
<b>Available sizes:</b>	
DIN 11850	DN 40 - DN 100
ASME BPE	OD 1½" - OD 4"
Connections	Weld
<b>Operating limits:</b>	
Temperature range	-10 °C to+ 121 °C (EPDM)    14 °F to 250°F
	+140 °C (SIP, max. 30 min)    284 °F
Maximum working pressure	10 bar    145 PSI
Minimum working pressure	Vacuum
Compressed air pressure	6-8 bar    87-116 PSI



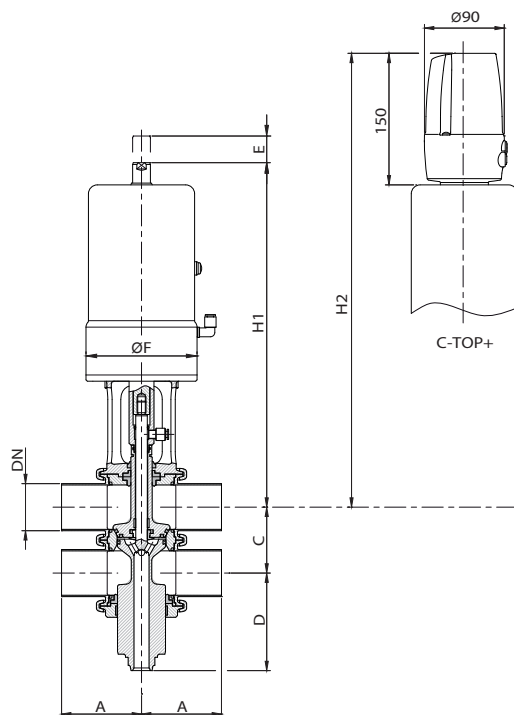
**I Options**

Gaskets: FPM, HNBR.  
 Other connection types.  
 C-TOP+ control unit.  
 External position sensors.  
 Internal surface finish:  $Ra \leq 0,5 \mu m$ .

**I Housing combinations**



**I Dimensions**



	DN	Pipe $\phi$	A	C	D	$\phi F$	E	H <sub>1</sub>	H <sub>2</sub>
<b>DIN</b>	40	41 x 1,5	85	62	86	125	22	382	507
	50	53 x 1,5	90	74	104	125	30	388	513
	65	70 x 2	110	92	141	161	34	471	587
	80	85 x 2	125	107	140	161	36	464	588
	100	104 x 2	150	127	175	193	52	528	649
<b>OD</b>	1½"	38,1 x 1,65	85	59	88	125	22	383	505
	2"	50,8 x 1,65	90	72	118	125	30	383	505
	2½"	63,5 x 1,65	110	86	143	161	34	474	584
	3"	76,2 x 1,65	125	99	144	161	36	468	584
	4"	101,6 x 2,11	150	124	176	193	52	530	648

